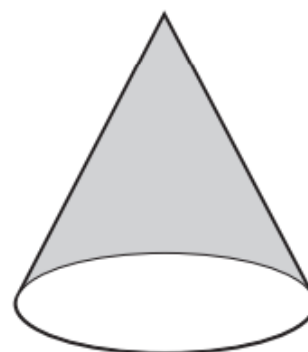
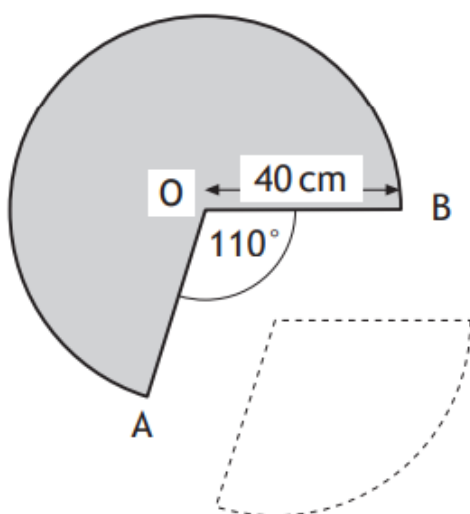


A cone is formed from a paper circle with a sector removed as shown.
The radius of the paper circle is 40 centimetres.
Angle AOB is 110° .



- (a) Calculate the area of the sector removed from the circle. 3
- (b) Calculate the circumference of the base of the cone. 3

Answers:

- (a) 1536 cm^2
- (b) 175 cm (approximately)