

National 5 Maths
SQA 2015 Paper 2
Question 9

National 5 Maths

Maths.scot

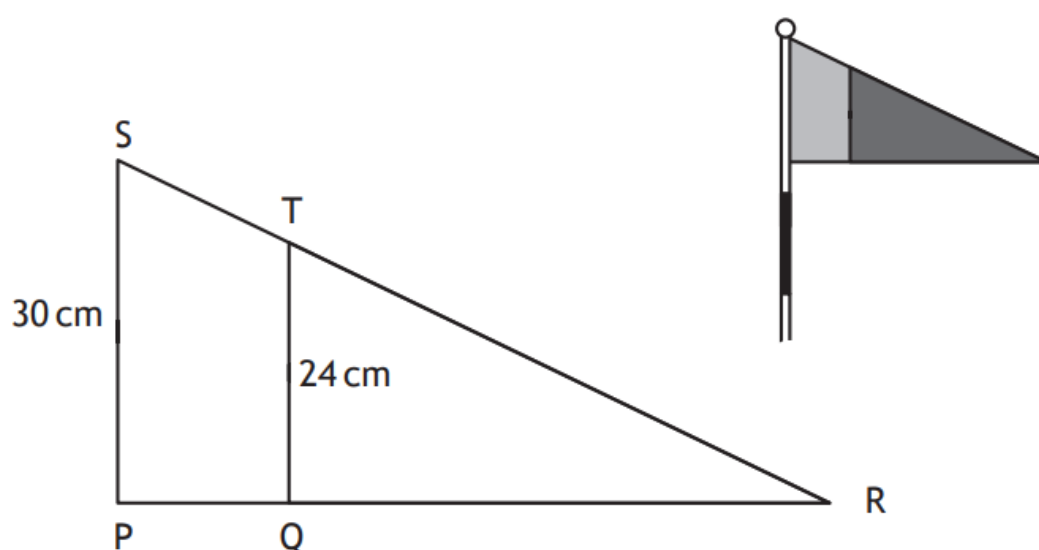


The flag at each hole on a golf course is coloured red and blue.

The diagram below represents a flag.

Triangle QRT represents the red section.

PQTS represents the blue section.



Triangles PRS and QRT are mathematically similar.

The area of triangle QRT is 400 square centimetres.

Calculate the area of PQTS, the blue section of the flag.

4

Answer:

225 cm²