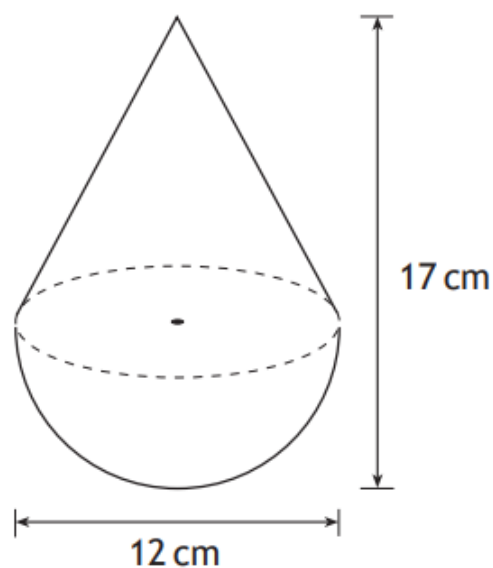




A child's toy is in the shape of a hemisphere with a cone on top, as shown in the diagram.



The toy is 12 centimetres wide and 17 centimetres high.

Calculate the volume of the toy.

Give your answer correct to 2 significant figures.

5

Answer:

870 cm³