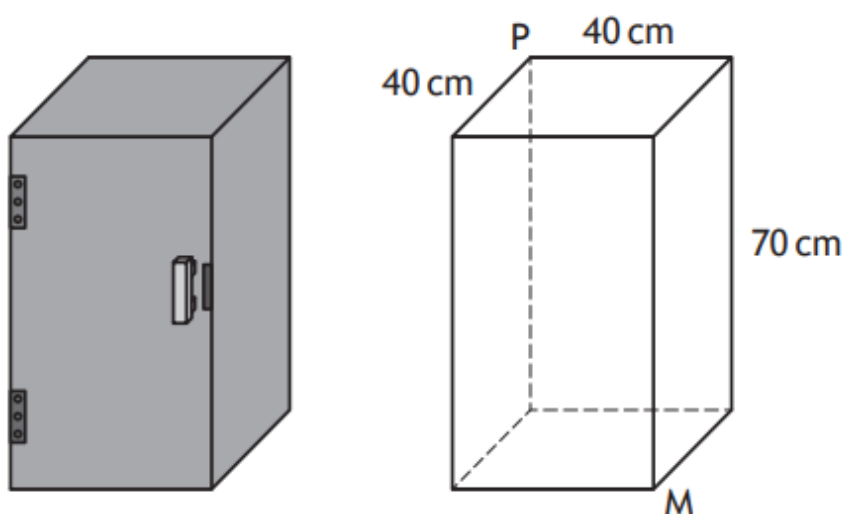


Chris wants to store his umbrella in a locker.

The locker is a cuboid with internal dimensions of length 40 centimetres, breadth 40 centimetres and height 70 centimetres.



The umbrella is 85 centimetres long.

He thinks it will fit into the locker from corner P to corner M.

Is he correct?

**Justify your answer.**

4

Answer:

Space diagonal = 90 cm

The SQA's marking instructions say: "Yes, since  $85 < 90$ ."

However, we think that this question was flawed. It wasn't simply asking whether or not the umbrella will fit into the locker. It was asking whether the umbrella will fit "from corner P to corner M", which it will not, because it is too short to reach all the way from P to M. So we would have answered: "No, because the umbrella is shorter than the space diagonal, so it will not reach from corner P to corner M."