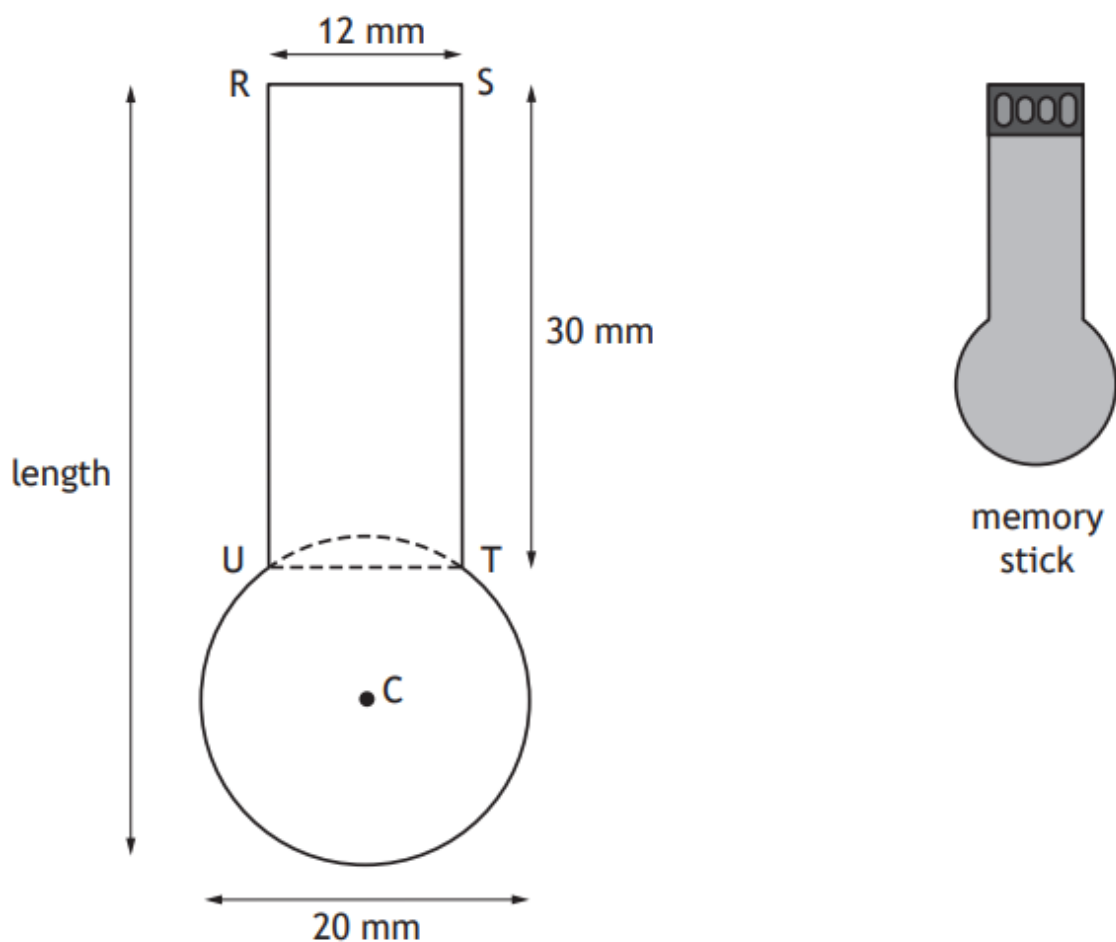


The diagram below shows a design for a memory stick.

The design consists of a rectangle, RSTU and part of a circle, centre C.



- $RS = UT = 12$  millimetres
- $RU = ST = 30$  millimetres
- The diameter of the circle is 20 millimetres
- UT is a chord of the circle

Calculate the length of the memory stick.

4

Answer: 48 mm